

METAL SEPARATOR

QUICKTRON 07 RH HyQ Clean

DETECTION OF ALL TYPES OF METALS

- FERROUS
- STAINLESS STEEL
- ALUMINUM
- COPPER
- BRASS

RELIABLE DETECTION OF FREE OR ENCAPSULATED CONTAMINANTS.

Version 11/17



HIGH SENSITIVITY METAL SEPARATOR FOR THE EXAMINATION OF FREE-FALLING BULK MATERIALS FULFILLS EVEN THE MOST STRINGENT HYGIENE REQUIREMENTS.

INDUSTRIES

- FOOD INDUSTRY
- CHEMICAL / PHARMACEUTICAL INDUSTRY
- PLASTICS AND RUBBER INDUSTRY

APPLICATION

- QUALITY CONTROL (TO MEET THE REQUIREMENT OF ISO 9000 AND HACCP)
- MACHINERY PROTECTION

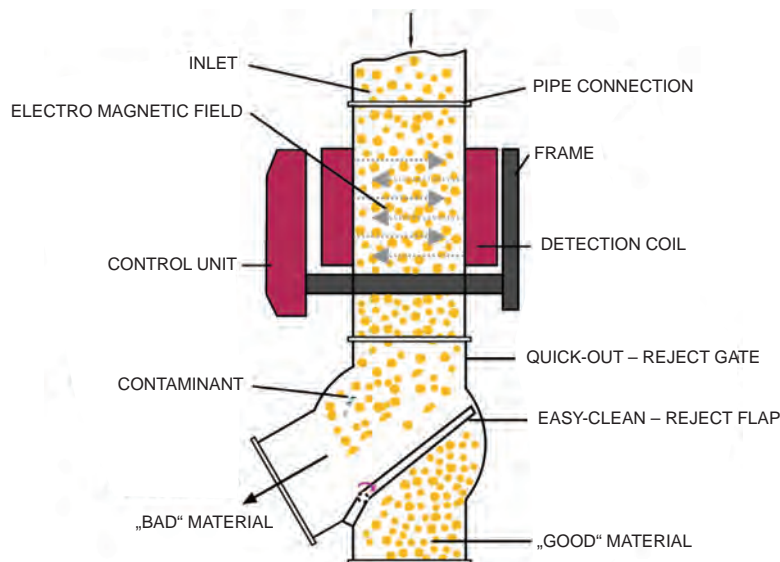


GLOBAL. MAGNETIC. FORCE.™

CONVINCING ARGUMENTS

- HYGIENE WONDER: NO INACCESSIBLE DIRT ACCUMULATING POCKETS DUE TO OPEN FRAME DESIGN AND A ROUND EJECT GATE. THE QUICK-OUT EJECT GATE CAN BE REMOVED AND SEPARATED FROM THE REST OF THE UNIT FOR CLEANING IN A FEW EASY STEPS. THE EASY-CLEAN EJECT FLAP WITH SHAFT CAN BE REMOVED JUST AS FAST FROM THE EJECT GATE. COMPLETELY WITHOUT TOOLS.
- EXTERNAL INTERFERENCES DO NOT HAVE A CHANCE! THE SO-CALLED „POWER LINE“ DETECTOR COIL WITH INTERFERENCE SHIELD HAS SEVERAL LAYERS OF SHIELDING AND DOES NOT REQUIRE A PLASTIC SENSOR PIPE. THE PIPE CONNECTIONS OF THE DETECTION COIL ARE WELDED ONTO THE DETECTOR HOUSING. SINCE THERE ARE NO OPENINGS TO THE OUTSIDE, EXTERNAL INTERFERENCES CANNOT REACH THE SENSING FIELD INSIDE THE DETECTOR.
- COMPACT CONSTRUCTION AND LOW PROFILE GUARANTEE A SEAMLESS INTEGRATION INTO ANY PRODUCTION PROCESS.
- DESIGN FLEXIBILITY: DEPENDING UPON THE INSTALLATION THE CLIENT CAN CHOOSE BETWEEN THE DETECTOR TYPE WITH AN INTEGRATED ELECTRONICS CABINET OR SEPARATE ELECTRONICS HOUSING.
- THE PNEUMATIC ACTUATED REJECT GATE IS RUGGED, RELIABLE AND FAST-REACTING.
- THE EXTENDED SYSTEM MONITORING GUARANTEES MAXIMUM RELIABILITY. ASIDE FROM THE MAJOR ELECTRONIC COMPONENTS THE AIR SUPPLY AND THE REJECT GATE ARE CONTINUOUSLY MONITORED. ANY TYPE OF FAULT IS RELIABLY INDICATED IN REAL TIME.
- ADDITIONAL INFORMATION REGARDING THE ELECTRONICS CAN BE FOUND IN THE REAR OF THIS SPECIFICATION SHEET.

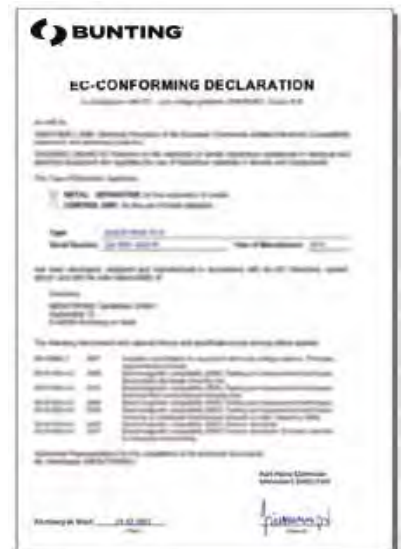
WORKING PRINCIPLE



THE QUICKTRON 07 RH SERIES ELECTRONIC METAL SEPARATORS AUTOMATICALLY DETECT AND REJECT METALLIC CONTAMINANTS FROM FREE FALLING BULK MATERIALS WITHOUT INTERRUPTING PRODUCTION. CLEAN PRODUCT PASSES FREELY THROUGH THE METAL SEPARATOR. A CONTAMINANT IN THE PRODUCT STREAM ALTERS THE HIGH FREQUENCY FIELD GENERATED BY THE DETECTION COIL. THE ELECTRONICS EVALUATE THIS SIGNAL AND GENERATE AN IMPULSE FOR THE SOLENOID VALVE AND THE DOUBLE ACTUATING AIR CYLINDER THAT OPERATE THE EJECT FLAP. THE CONTAMINANT IS INSTANTLY DIVERTED FROM THE GOOD PRODUCT STREAM ASSURING MINIMAL GOOD PRODUCT LOSS. THE EJECT TIME IS ADJUSTABLE. IN THE CASE OF SEVERAL METAL PARTICLES BEING PRESENT, THE REJECT TIME WILL BE EXTENDED ACCORDINGLY, TO ASSURE A METAL FREE PRODUCT. THE EJECT FLAP RETURNS AUTOMATICALLY TO IT'S NORMAL POSITION AFTER A SUCCESSFUL METAL REJECTION EVENT.

STANDARD SCOPE OF DELIVERY

- EJECT GATE INCLUSIVE ALL PNEUMATIC COMPONENTS SUCH AS AIR PRESSURE REGULATOR, COMPRESSED AIR DRYER, ETC.
- ELECTRONICS MOUNTED IN A METAL CABINET
- CONNECTING CABLES
- USER MANUAL INCL. INSTALLATION INSTRUCTIONS, WIRING DIAGRAM AND SPARE PARTS LIST IN SEVERAL LANGUAGES
- EC-CONFORMITY DECLARATION
- CLAMPING RINGS (3 PIECES) FOR TRANSITIONS



OPTIONS

- OPTICAL AND ACOUSTICAL SIGNAL UNITS
 - BEACON
 - BUZZER
 - BEACON WITH SIREN
- AIR COMPRESSOR
- SOFTWARE SOLUTIONS
 - mesuSET pro (DETECTOR OPERATION VIA LAPTOP)
 - mesuNET pro (DETECTOR NETWORKING AND REMOTE MONITORING)
 - AND MORE
- COMPRESSED AIR TANK
- TRANSITIONS OPTIONAL WITH CONNECTING FLANGE
 - FOR MATERIAL INFEEED
 - FOR "GOOD" MATERIAL OUTLET
 - FOR "EJECT" MATERIAL OUTLET (SIZE AND SHAPE MAY BE FREELY DEFINED AS REQUIRED)

SPECIAL VERSIONS

- EXPLOSION PROOF VERSIONS
- UNITS PAINTED TO CUSTOMER SPECIFIC COLOR CODE
- CUSTOMER SPECIFIC SUPPLY VOLTAGE
- "NEUTRAL VERSION" FOR OEM CUSTOMERS



HYGIENE

X DISMANTLE IN **LESS THAN A MINUTE** WITHOUT TOOLS!

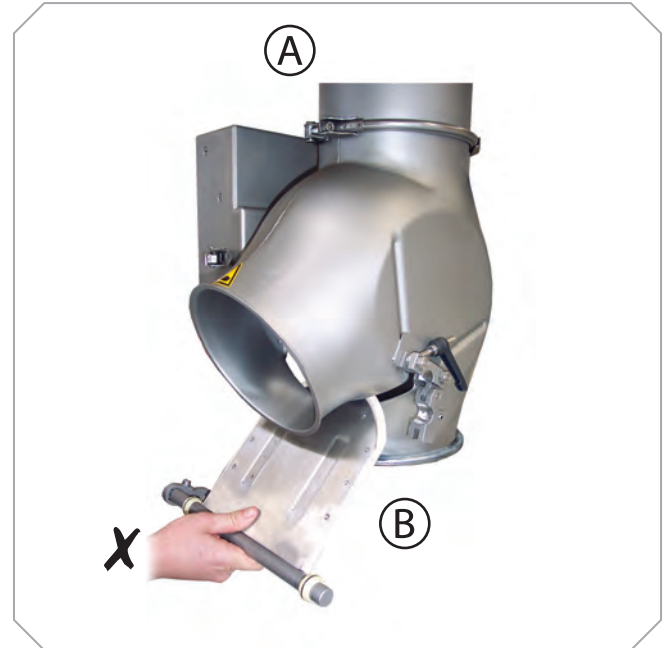


A QUICK-OUT-EJECT GATE (FOR THE MODEL 80-200)

THE REJECT GATE CAN BE SEPARATED FROM THE REST OF THE UNIT IN A FEW SIMPLE STEPS

B EASY-CLEAN EJECT FLAP

HYGIENIC AND FAST CLEANING DUE TO THE EASY REMOVAL OF THE EJECT FLAP INCLUDING THE SHAFT WITHOUT TOOLS!



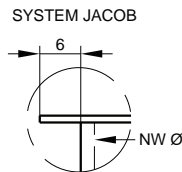
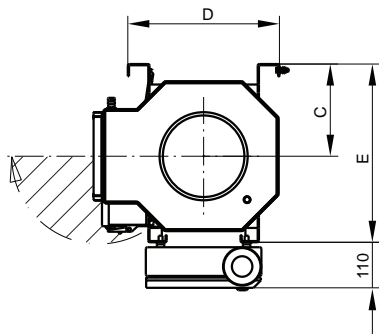
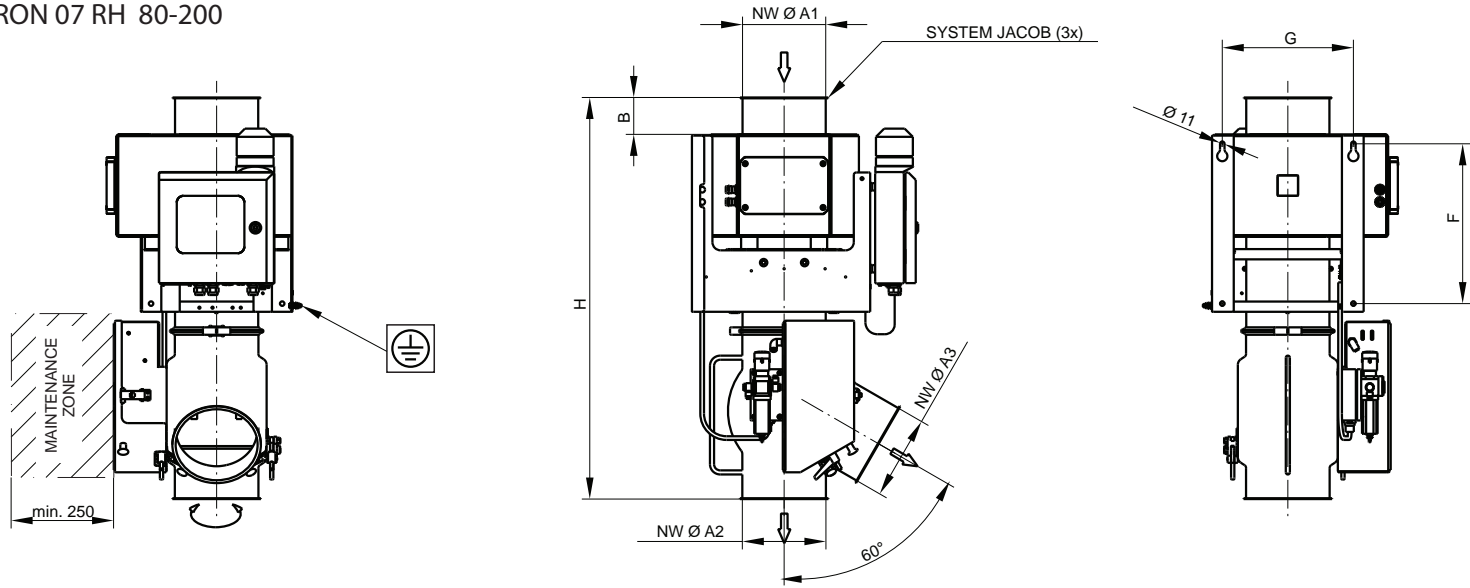
MATERIALS EMPLOYED

FRAME:	STAINLESS STEEL (1.4301 / SS 304)
DETECTION COIL:	STAINLESS STEEL (1.4301 / SS 304)
CONTROL BOX:	STAINLESS STEEL (1.4301 / SS 304)
CONNECTION FLANGE:	STAINLESS STEEL (1.4301 / SS 304)
REJECT HOUSING:	STAINLESS STEEL (1.4301 / SS 304)
REJECT FLAP:	STAINLESS STEEL (1.4301 / SS 304)
SHAFT:	STAINLESS STEEL (1.4301 / SS 304)
SENSOR AREA:	PE (POLYETHYLENE) FOOD GRADE ANTISTATIC FDA CONFORMITY
SEALING MATERIALS:	EPDM (ETHYLENE-PROPYLENE-DIENE-MONOMER RUBBER) FOOD GRADE, FDA CONFORMITY

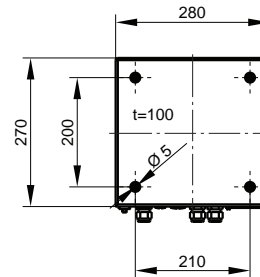
OTHER VERSIONS AVAILABLE

DIMENSIONS

QUICKTRON 07 RH 80-200



ELECTRONIC BOX (DRILLING PATTERN)

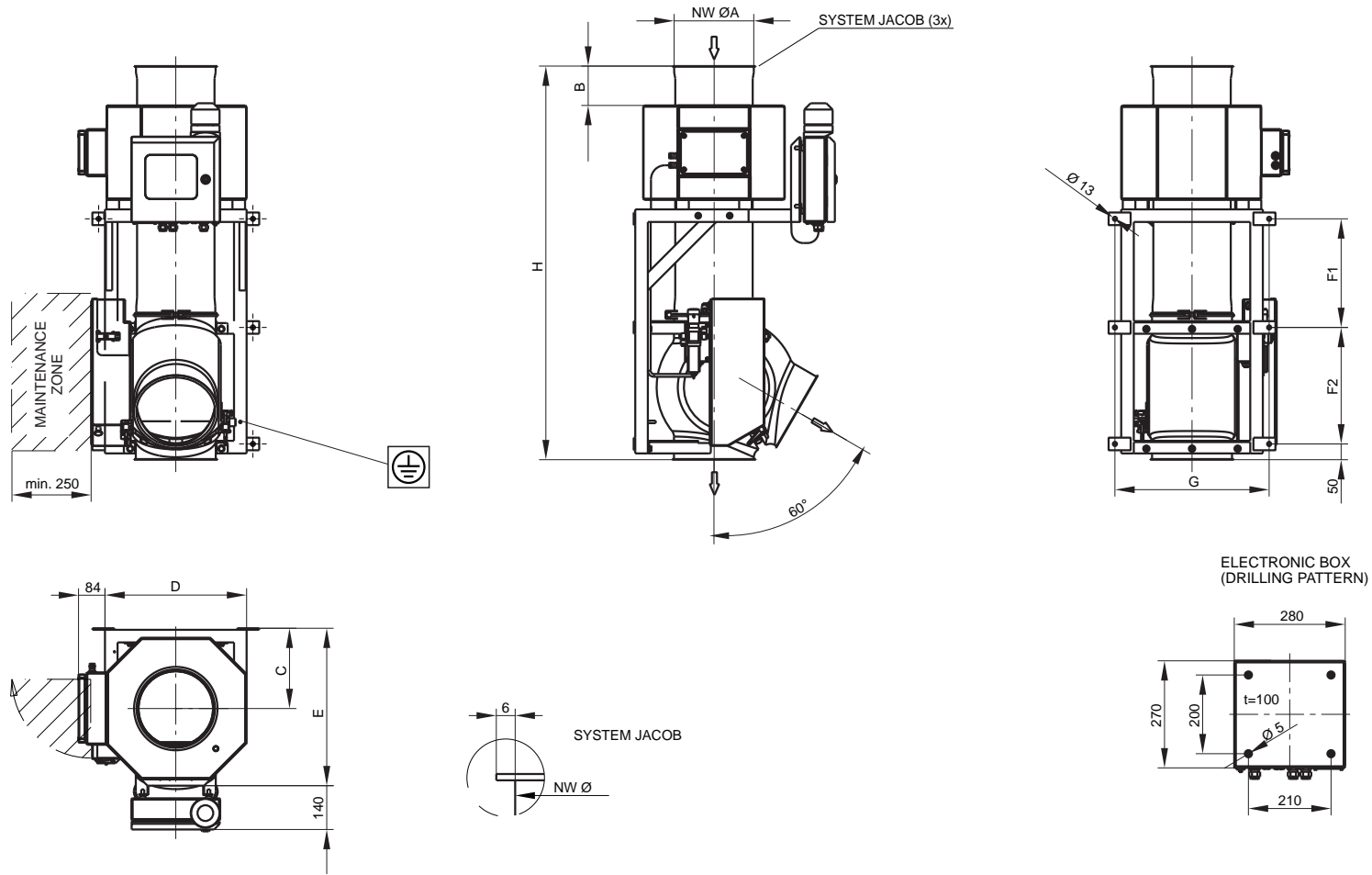


Ø A1	Ø A2 /A3	B	C	D	E	F	G	H
80	100	42	190	280	350	220	230	600
100	100	73	190	280	350	220	230	680
120	120	80	190	280	350	220	230	700
150	150	80	190	360	385	290	300	825
200	200	90	225	370	435	380	320	980

ALL DIMENSIONS IN MM.

DIMENSIONS

QUICKTRON 07 RH 250-300



Ø A	B	C	D	E	F1	F2	G	H
250	125	255	450	500	345	370	490	1250
300	150	295	550	585	355	485	580	1600

ALL DIMENSIONS IN MM.

INSTALLATION AND OPERATION INSTRUCTIONS

- THE UNIT NEEDS TO BE INSTALLED VERTICALLY.
- DO NOT EXCEED 0,5 M MAXIMUM FREE FALL HEIGHT FROM TOP OF UNIT.
- ASSURE SUFFICIENT FREE SPACE BELOW THE OUTLET PORTS. ACCUMULATED MATERIAL COULD BLOCK THE EJECT FLAP AND PREVENT RELIABLE EJECTION OF METAL CONTAMINANTS.
- INSTALL THE METAL SEPARATOR FREE OF VIBRATIONS. THE METAL SEPARATOR FEATURES FOR MOUNTING HOLES AND/OR MOUNTING LUGS. INSTALLATION OF THE DETECTOR INTO THE REST OF THE SYSTEM HAS TO TAKE THE WEIGHT OF THE DETECTOR INTO CONSIDERATION.
- DO NOT INSTALL MOVING METAL PARTS DIRECTLY ABOVE THE INLET. THE DISTANCE TO MOVING FLAPS, GATES AND SUCH MUST BE 1 TIMES THE DIAMETER OF THE DETECTOR INLET PIPE.
- CONNECT THE METALS SEPARATOR TO A CONSTANT VOLTAGE SUPPLY. THE INITIALIZING TIME AFTER CONNECTING IS APPROX. 15 SECONDS.
- MONITORING OF THE SYSTEM: CONNECT TO MULTIPLE CONNECTOR, TERMINAL (7) (OUT 2) AND TERMINAL (8) ON THE CONTROL UNIT. SEE CHAPTER „POSITIONS“ AT THIS DATA SHEET (NEXT PAGES).

SENSITIVITY AND THROUGHPUT DIAGRAM

MODEL	80	100	120	150	200	250	300
SENSITIVITY ¹⁾ STEEL-BALL Ø MM	0,4	0,4	0,5	0,6	0,8	1,0	1,2
THROUGHPUT ²⁾ L / H	7200	11200	16100	25200	44800	69900	100700

¹⁾THE SENSITIVITY IS PROPORTIONAL TO THE DIAMETER OF THE APERTURE. THE SMALLER THE APERTURE, THE HIGHER THE SENSITIVITY. THE ABOVE STATED VALUES WERE OBTAINED IN THE CENTRE OF THE APERTURE UNDER SIMULATED PRODUCTION CONDITIONS AND ARE VALID FOR MOST DRY POWDERS AND GRANULATES.

²⁾THE ABOVE STATED VALUES ARE APPROXIMATE. ACTUAL VALUES DEPEND ON THE FLOWABILITY, BULK DENSITY AND METHOD OF INFEEED. PLEASE CONSULT OUR APPLICATIONS DEPARTMENT.

MAXIMUM OBTAINABLE SENSITIVITY VALUES CAN BE ESTABLISHED BY TESTING YOUR PRODUCT SAMPLE IN OUR LABORATORY.

SENSITIVITY VALUES FOR OTHER MATERIALS:
 STAINLESS STEEL: FE SPHERE x 1,0 UP TO 1,8 (DEPENDENT ON THE ALLOY)
 NON-FERROUS MATERIALS SUCH AS BRONZE, COPPER, ALUMINUM:
 FE SPHERE x 1,0 UP TO 1,4 (DEPENDENT ON THE TYPE OF METAL).

CONTROL UNIT AMD 07

ADVANTAGES THAT WILL CONVINC YOU

UNLIMITED FLEXIBILITY DUE TO NETWORK-ENABLED SYSTEM COMPONENTS. THE METAL SENSOR, THE DISPLAY AND THE CONTROL UNIT COMMUNICATE VIA ETHERNET AND CAN BE COMBINED AS REQUIRED. SOME COMPONENTS MAY NOT BE REQUIRED, IF THE METAL DETECTOR IS INTEGRATED IN OTHER MACHINERY DISTANCES ARE IRRELEVANT. HIGHEST SENSITIVITY AND AVAILABILITY ARE GUARANTEED.

AUTO-SETUP-ROUTINE WITH INTERFERENCE SIGNAL SUPPRESSION AND AUTOMATIC SENSITIVITY CALIBRATION.

AUTOMATIC PRODUCT-EFFECT CANCELLATION WITH REAL TIME PRODUCT PARAMETER MEASUREMENT CAPABILITIES.

DYNAMIC AUTO-TRACKING (PRODUCT CHARACTERISTIC CHANGE TRACKING) GUARANTEES MAXIMUM SENSITIVITY IN OPERATION.

MULTI-FILTER SYSTEM USING DIGITAL FILTERS FOR MAXIMUM STABILITY IN HARSH ENVIRONMENTS.

AUTO-BALANCE AUTOMATICALLY DETECTS AND COMPENSATES FOR ANY CHANGES IN THE SIGNAL DURING NORMAL OPERATION. (E.G. TEMPERATURE VARIATIONS)

NARROW DETECTION ZONE PROVIDES AN ACCURATE LOCATION OF THE METALLIC PARTICLE IN THE DETECTION FIELD ALLOWING PRECISE SEPARATION.

TOUCH SCREEN CONTROL PANEL – MAXIMUM INFORMATION, EASY AND FAST OPERATION! THE 5,7" BACKLIT VGA COLOR-TOUCH-DISPLAY IS LARGE ENOUGH TO DISPLAY SUCH INFORMATION AS PARAMETER DATA AND PROTOCOL CONTENTS IN A LEGIBLE MANNER. INPUT FIELDS AND OTHER OPERATING TOOLS HAVE GENEROUS DIMENSIONS AND ARE ERGONOMICALLY ARRANGED. EASY TO OPERATE WITH CLEAR MENUS AND SELECTABLE OPERATING LANGUAGE THE OSCILLOSCOPE FUNCTION MAKES THE SIGNAL WAVES VISIBLE BY PROJECTING THEM ONTO THE DISPLAY!

3 LEVELS OF USER ACCESS (INDIVIDUAL PIN CODES UP TO 4 LEVELS) GUARANTEE PROTECTION AGAINST UNAUTHORIZED ACCESS DUE TO INTELLIGENT USER MANAGEMENT. INDIVIDUAL ACCESS FOR AUTHORIZED PERSONNEL WITH PERSONALIZED ACCESS CODE (USER ID) IN ADDITION 2 FREE CONFIGURABLE FUNCTION KEYS.

METAL COUNTER CAN BE DISPLAYED ON THE LCD SCREEN OR INTERFACED WITH A PRINTER OVER A SERIAL INTERFACE.

QUALITY

SMD's (SURFACE MOUNTED DEVICES) ARE USED IN THE PRODUCTION OF THE CONTROLS. THEY NOT ONLY OFFER A COMPACT DESIGN, BUT ALSO PROVIDE HIGHER QUALITY AND MORE ROBUST PERFORMANCE UNDER HARSH CONDITIONS. ALL BUNTING PRODUCTS CONFORM TO THE CE STANDARDS AND ARE DEVELOPED ACCORDING TO TECHNICAL STANDARDS AND NORMS SUCH AS EN, DIN AND UVV.



METAL DETECTOR NETWORK AND REMOTE SERVICE

EVERYTHING IS POSSIBLE! SEVERAL OPTIONAL SOFTWARE-PACKAGES ARE AVAILABLE. WITH THE AID OF MODERN NETWORK SOLUTIONS SUCH AS ETHERNET OR WI-FI YOU CAN ESTABLISH A SECURE AND EFFICIENT DATA MANAGEMENT SYSTEM WITH AN UNLIMITED NUMBER OF DETECTORS. THE UNITS CAN BE REMOTE CONTROLLED VIA A CENTRAL PC. WE CAN ALWAYS BE PRESENT LOCALLY WITH **mesuREMOTE**, THE MESUTRONIC REMOTE SERVICE MODULE.

SELF MONITORING SYSTEM ENSURES ALL IMPORTANT COMPONENTS ARE FUNCTIONING PROPERLY. IN CASE OF A FAULT, RELAY OUTPUTS ARE AVAILABLE. FAULTS ARE DISPLAYED AS TEXT IN REAL TIME.

PRODUCT STORAGE MEMORY BACKUP FOR UP TO 500 INDIVIDUAL PRODUCTS. EACH PRODUCT HAS A COMPLETE SET OF SETUP PARAMETERS ASSIGNED, SUCH AS SENSITIVITY, EJECT TIME ETC. THE DISPLAY OF TIME RELEVANT DATA IS IN REAL-TIME. INDIVIDUAL PRODUCT NAMES CAN BE STORED AS WELL.

DETECTOR TEST FUNCTION (VALIDATION) YOU MAY CHOOSE BETWEEN THE MANUAL OR AUTOMATIC MODE. IN THE AUTOMATIC MODE THE DETECTOR WILL ADVISE AUTOMATICALLY, WHEN THE DETECTOR TEST IS TO BE PERFORMED. THE CYCLE TIME CAN BE ADJUSTED FROM 1 MINUTE TO 11 HOURS IN REAL TIME. THE TEST RESULTS ARE DOCUMENTED IN THE EVENT LOG INCLUDING DATE AND TIME STAMP.

USB DATA MEDIA AS MOBILE DATA CARRIER. A USB CONNECTION IS STANDARD EQUIPMENT TO STORE DATA ON A COMMERCIALY AVAILABLE DATA STORAGE MEDIA. MODERN DATA STORAGE DEVICES HAVE SUFFICIENT CAPACITY TO STORE ALL ADJUSTMENT AND PRODUCT PARAMETER DATA AS WELL AS THE RESULTS. IN ADDITION SOFTWARE UPDATES AND ADDITIONAL LANGUAGE FILES CAN BE UPLOADED EASILY AND COMFORTABLY.

MULTI-MODE-FUNCTION (OPTIONAL) IMPROVES SENSITIVITY IF PRODUCTS IN STANDARD PACKAGING AND METALIZED FOIL PACKING ARE EXAMINED WITH THE SAME METAL DETECTOR. THE DETECTOR SELECTS THE OPTIMAL FREQUENCY AUTOMATICALLY DURING THE PRODUCT PARAMETER MEASUREMENT. ALL PRODUCT SPECIFIC VALUES CAN BE STORED AND CAN BE RETRIEVED IMMEDIATELY AFTER A PRODUCT CHANGE

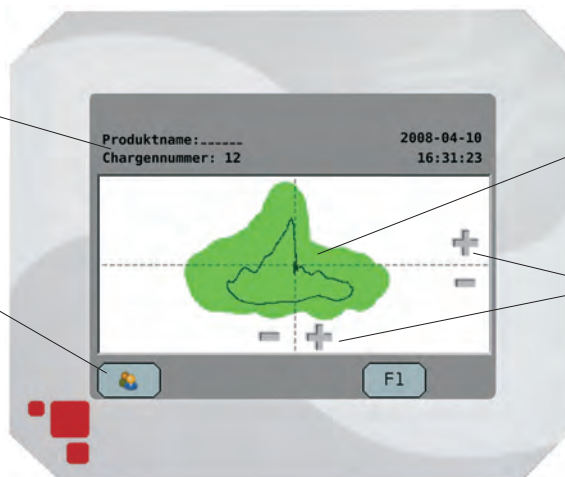
DATA PORTS FOR DIFFERENT TASKS. THE METAL DETECTOR IS EQUIPPED WITH 2 DATA PORTS, WHEREAS ONE OF THE DATA POINTS (ETHERNET) IS RESERVED FOR SERVICE SUCH AS SECURING DATA, LOCAL SOFTWARE UPDATES AND SUCH. THE OTHER DATA POINT (RS232) IS FREELY AVAILABLE. BI-DIRECTIONAL DATA COMMUNICATION WITH CLIENTS SPS OR PC SYSTEMS IS POSSIBLE. (SOFTWARE PACKAGES ARE OPTIONAL).

CONTROLS

EXAMPLE OF AN INPUT DISPLAY (DEPENDING UPON THE SELECTED MENU THE DISPLAY SHOWS DIFFERENT FUNCTIONS !)

DISPLAY (PRODUCT NAME, BATCH NUMBER, ETC.)

SENSITIVE KEY CONTROL (HERE TO SELECT FOR THE USER LEVELS)

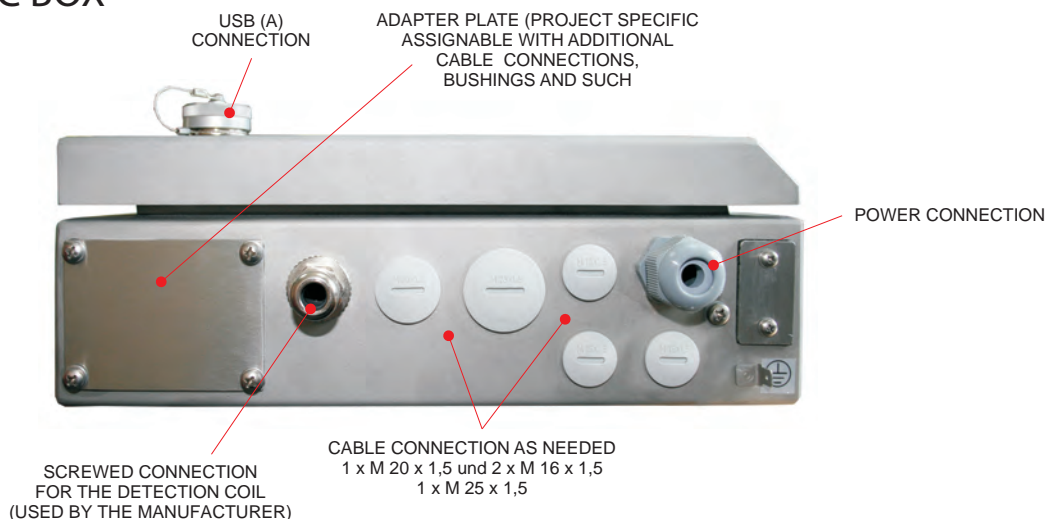


ENVELOPE imagePHASE

ZOOM (VERTICAL UND HORIZONTAL)

5,7" COLOR-TOUCH DISPLAY (320 X 240 PIXEL)

ELECTRONIC BOX

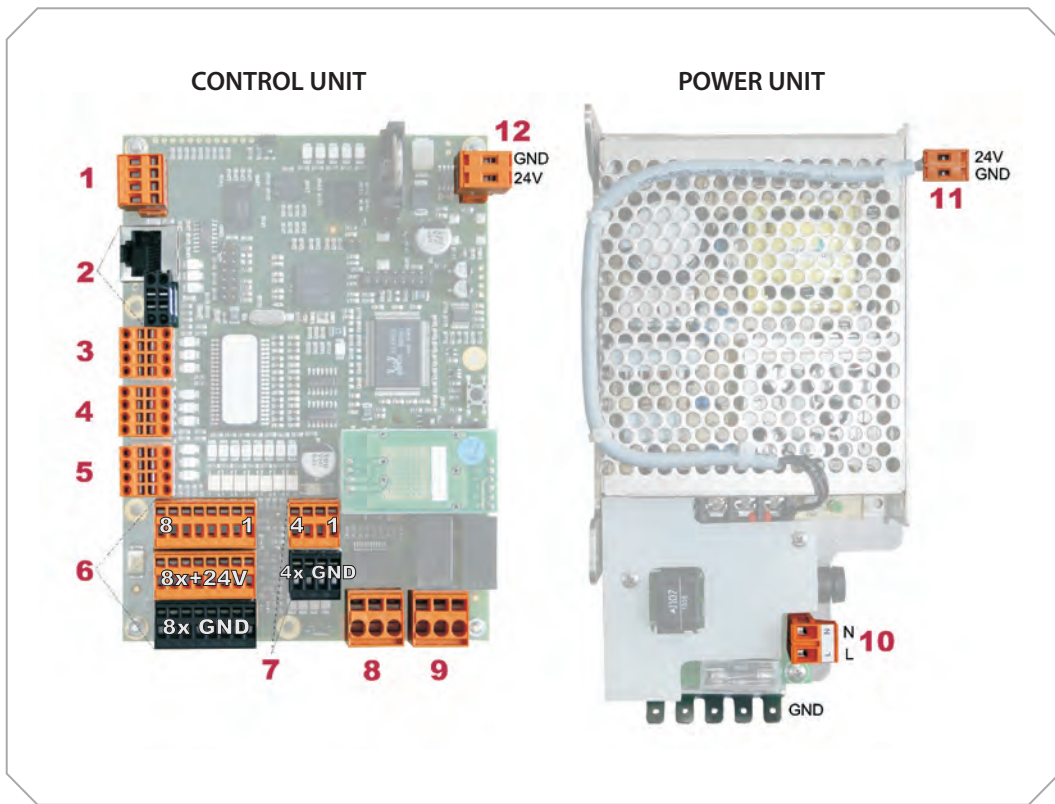


TECHNICAL DATA

POWER SUPPLY:	100 V - 240 V AC, 50 OR 60 Hz AS SPECIAL VERSION 24 V DC
CURRENT CONSUMPTION:	MAX. 75W
FUSED:	1,25 A (SLOW BLOW), 5 20 MM ACCORDING TO DIN
POWER FUSE:	MAX. 10 A
TYPE OF PROTECTION:	IP 66
WORKING TEMPERATURE RANGE:	-10 °C TO +50 °C
STORAGE TEMPERATURE RANGE:	-10 °C TO +60 °C
PRODUCT TEMPERATURE:	MAX. 50° C
RELATIVE HUMIDITY:	0 TO 95 % (WITHOUT CONDENSATION)
IMPULSE LENGTH METAL SIGNAL:	0,1 SEC. TO 30 SEC. (ADJUSTABLE)
AIR SUPPLY:	6 - 10 BAR (AIR PLUG 7,2)
AIR CONSUMPTION:	< 0,2 NORM-LITRES PER REJECT
POWER CABLE:	APP. 1,8 M CABLE WITH PLUG (TWO POLE AND EARTHING PIN) (US-VERSION WITH US-STANDARD PLUG)
VERSION:	DETECTOR COIL AND ELECTRONIC BOX ARE MADE OF STAINLESS STEEL, SAND BLASTED

OTHER VERSIONS AVAILABLE

POSITIONS



- 1** SERIAL PORT RS 232 (OPTIONAL)
- 2** ETHERNET INTERFACE (USED BY THE MANUFACTURER)
- 3** ETHERNET INTERFACE FOR NETWORK (SUCH AS mesuNET)
- 4** ETHERNET CONNECTION FOR THE SENSOR-UNIT (USED BY THE MANUFACTURER)
- 5** ETHERNET CONNECTION FOR THE DISPLAY-UNIT (USED BY THE MANUFACTURER)
- 6** EIGHT (8) FREE PROGRAMMABLE INPUTS (24V DC)

INPUTS (STANDARD LAYOUT)

IN 1 - INITIATOR „NORMAL POSITION“ (EJECT GATE)

IN 2 - INITIATOR „EJECT POSITION“ (EJECT GATE)

IN 3 - PRESSURE MONITOR (PRESSURE SWITCH)

IN 4 - TRIGGER FOR LIGHT GATE (IN)

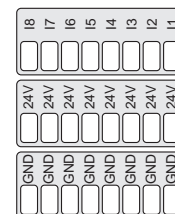
IN 5 - RPM SENSOR (SPEED MEASUREMENT)

IN 6 - RESET-BUTTON (EXTERN)

IN 7 - FREE

IN 8 - FREE

ADDITIONAL CONNECTIONS SUCH AS LIGHT TRIGGERS, FILL SENSORS AND SUCH



POSITIONS

7 FOUR (4) FREELY PROGRAMMABLE OUTPUTS (24 V DC)

OUTPUT (STANDARD LAYOUT)

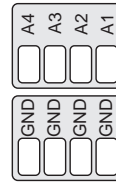
OUT1 - SOLENOID VALVE (EJECT GATE)

OUT2 - UNIT OPERATIONAL INDICATOR

OUT3 - FREE

OUT4 - FREE

ADDITIONAL CONNECTIONS: MAGNET SOLENOID (REJECT MECHANISM),
FAULT INDICATOR, ALARM AND SUCH.



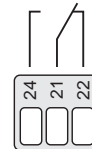
MAX. LOAD FOR ALL INPUTS AND OUTPUTS $I_{TOTAL} \leq 300$ MA CUMULATIVE!

8 RELAY 2 (CONNECT AT FAULT)

FLOATING CHANGE OVER CONTACT

ACTUATED BY SELF MONITORING SYSTEM (NORMAL OPERATION)

MAX. CONTACT LOAD: 250 V/3 A



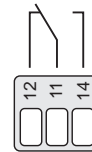
9 RELAY 1 (CONNECT WHEN METAL)

FLOATING CHANGE OVER CONTACT ACTUATED WHEN METAL IS DETECTED

MAX. CONTACT LOAD: 250 V/3 A

PULSE DURATION (AUTO-RESET): 0,1 SEC. TO 30 SEC. (ADJUSTABLE)

PULSE DURATION (RESET BY HAND): PERMANENT SIGNAL UNTIL RESET-BUTTON IS
PRESSED



IF REQUIRED; THE RELAYS MAY BE PROGRAMMED DIFFERENT.

10 POWER CONNECTION

11 24V DC TENSION / OUTPUT (USED BY THE MANUFACTURER)

12 24V DC TENSION / INPUT (USED BY THE MANUFACTURER)

Service and Calibration

Bunting service engineers are available at short notice to service and calibrate our full range of detectors in the UK and overseas. Bunting offers 3 levels of protection designed to provide specific services to optimise the performance and lifespan of metal detection equipment

Pro-Start™

Pro-Start™ commissioning coverage ensures that a metal detector performs to company expectations from its first day on the job. A factory-trained service technician will be on-site to verify the installation, calibrate the metal detector to achieve top performance and train personnel. Pro-Start includes a calibration label for the detector, a complimentary set of test pieces (specify size and type on purchase) and a detailed calibration record for company files. It also extends the original one-year factory warranty to two years and includes two years of phone-based technical support.

Pro-Maintenance™

Pro-Maintenance™ keeps the metal detector operating like new, which is critical, considering the impact of poor performance on customer satisfaction and other consequences. It provides either annual (Gold plan) or biannual (Platinum plan) visits by factory-trained service technicians to service and calibrate the metal detector and ensure the system is running the latest accurate software. The Pro-Maintenance plan also includes significant parts and labour discounts on any needed spares and repair work, on-site training for personnel during service & calibration visits and two years of phone based technical support.



Burnt Meadow Road, Redditch, Worcestershire, UK, B98 9PA

Tel: +44(0)1527 65858

E-Mail: sales.redditch@buntingmagnetics.com • www.mastermagnets.com